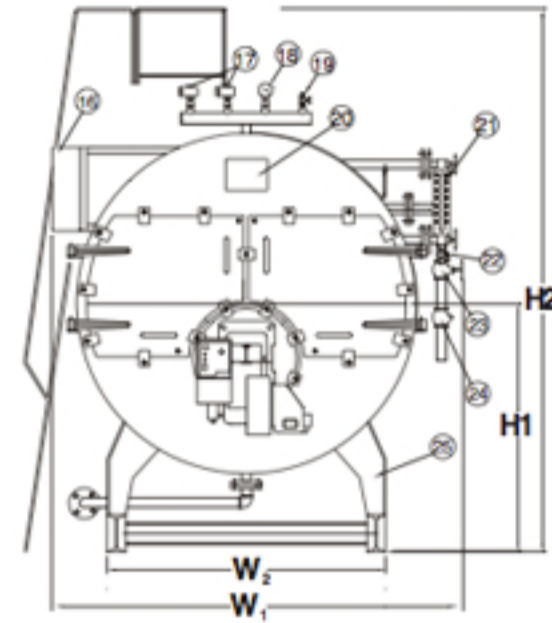
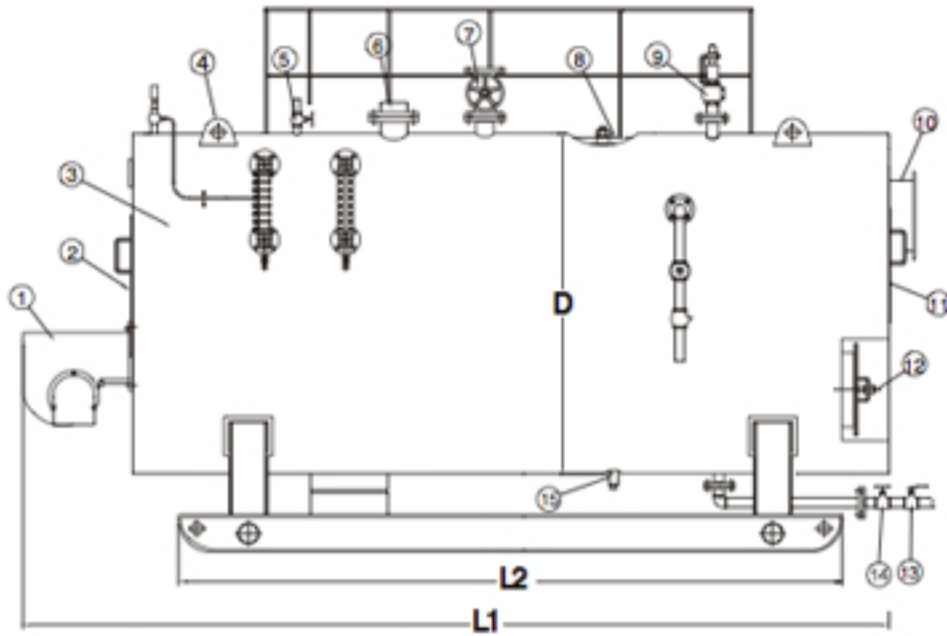




Tru-Steam Boilers & Service Pty Ltd
 Unit 3, 53-55 Governor Macquarie Drive
 Chipping Norton, NSW 2170
 +61297542166
 sales@trusteam.com.au
 www.trusteam.com.au



- | | | |
|------------------------|--------------------------|----------------------|
| 1. Burner | 11. Back Door | 21. Level Gauge |
| 2. Front Door | 12. Glass | 22. Valve |
| 3. Boiler Body | 13. Ball Valve | 23. Feed Water Valve |
| 4. Lifting Lug | 14. Blowdown Valve | 24. Check Valve |
| 5. Air Vent | 15. Handhole | 25. Base |
| 6. Water Level Control | 16. Electric Control Box | |
| 7. Main Steam Valve | 17. Pressure Relay | |
| 8. Manhole | 18. Pressure Gauge | |
| 9. Safety Valve | 19. Valve | |
| 10. Chimney | 20. Name Plate | |

MODEL "HN"	500	750	1000	1500	2000	2500	3000	4000	5000	6000	8000	10000
CAPACITY (kg/hr)	500	750	1000	1500	2000	2500	3000	4000	5000	6000	8000	10000
(kw)	300	500	600	1000	1300	1600	2000	2500	3200	4000	5000	6000
HEATING SURFACE M ²	12	15	21.5	32	41.5	50.5	64	81.5	102	122	160.5	201.5
DESIGN PRESSURE (kg/cm ²)	11	11	11	11	11	11	11	11	11	11	11	11
TOTAL VOLUME (m ³)	1.57	1.73	2.17	2.88	3.32	3.5	4.65	5.98	8.84	9.91	11.32	13.68
FUEL USAGE NATURAL GAS M ³ /HOUR	33.24	55.4	66.5	110	138.5	177.3	210.5	282.6	354.6	443	554	664
LPG LT/HOUR	50.5	84.3	101.7	168.6	210	269.8	320	430	539.6	674	842	1011
DIESEL OIL LT/HOUR	28	47	57	95	124	152	191	238	305	382	477	573
MAIN STEAM OUTLET (mm)	49	60	76	90	90	90	114	140	140	140	168	168
FEEDWATER INLET (mm)	34	34	42	42	42	42	49	49	49	49	60	60
CHECK VALVE (mm)	34	34	42	42	42	42	49	49	49	49	60	60
SAFETY VALVE (mm)	34	42	42	49	49	49	49	60	60	60	76	76
BLOWDOWN VALVE (mm)	34	42	42	49	49	49	49	49	49	49	60	60
FLUE DIAMETER (MM) Ø	265	285	320	340	360	400	420	480	550	630	680	720
DIMENSION (mm)												
D	1200	1250	1350	1500	1550	1700	1800	2050	2170	2350	2600	2900
L1	2900	3200	3700	4000	4100	4250	4500	5300	5500	5800	6200	6700
L2	2400	2500	2700	2800	3000	3200	3500	4000	4200	4500	5000	5500
H1	1000	1050	1100	1150	1200	1270	1370	1500	1700	1750	1850	1950
H2	2190	2250	2360	2500	2600	2700	2850	3000	3200	3500	3700	3800
W ₁	1650	1750	1850	1950	2050	2200	2350	2450	2550	2700	2900	3000
W ₂	1100	1150	1200	1350	1400	1450	1600	1700	1750	1800	2000	2200